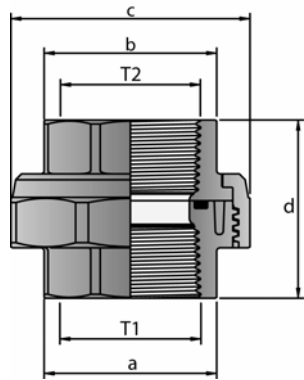


## BARREL UNION



Product Code	T1 BSPF	T2 BSPF	a (AF) mm	b (AF) mm	c (AF) mm	d mm
<b>SBU15</b>	1/2" (15mm)	1/2" (15mm)	28.0	28.0	45.0	43.0
<b>SBU20</b>	3/4" (20mm)	3/4" (20mm)	34.0	34.0	51.0	46.0
<b>SBU25</b>	1" (25mm)	1" (25mm)	41.0	41.0	62.0	53.0
<b>SBU2520</b>	1" (25mm)	3/4" (20mm)	41.0	34.0	62.0	53.0
<b>SBU32</b>	1 1/4" (32mm)	1 1/4" (32mm)	51.0	51.0	71.0	55.0
<b>SBU3225</b>	1 1/4" (32mm)	1" (25mm)	51.0	41.0	71.0	55.0
<b>SBU40</b>	1 1/2" (40mm)	1 1/2" (40mm)	58.0	58.0	81.0	64.0
<b>SBU50</b>	2" (50mm)	2" (50mm)	71.0	71.0	96.0	67.0

**HANSEN**<sup>™</sup>

FOR REFERENCE USE ONLY.

WITH OUR POLICY OF CONTINUING PRODUCT DESIGN AND DEVELOPMENT, SPECIFICATIONS, CODE NUMBERS AND ITEMS ARE SUBJECT TO CHANGE WITHOUT NOTICE

© COPYRIGHT: HANSEN PRODUCTS (NZ) LIMITED.